

Powerpole® pin & socket series connector, designed as ground terminal are for make-first/break-last connections.

The dovetail feature allows you to interlock multiple housings into vertical and horizontal configurations, providing you with unique variations that are specific to each individual project requirement.

Powerpole® connectors provide 600 Volts continuous, AC or DC operation. This series accommodates #10 AWG (5.3 mm<sup>2</sup>).

### FEATURES

- **Make-first/Break-last connection**

*Provides safety and system integrity*

- **Green housing**

*Indicates ground terminal*

- **Molded-in dovetails**

*Can be assembled into "keyed" configurations to preclude misconnections*



### PRODUCT SPECIFICATIONS

Connector Model	PP30 P & S	Connector Model	PP30 P & S
UL Current Rating (Amperes)*	30****	No load (Contact/Disconnect Cycles)	To 250
UL Voltage Ratings (Volts)**	600*	Avg. Connection/Disconnect (lbf)	3
Contact Barrel Wire Size (AWG)	#10	Operating Temperature Range °C***	-20° to 105°
(mm <sup>2</sup> )	5.3	°F	-4° to 221°
Maximum Wire Insulation Diameter (inches)	0.175	Flammability Rating of Housing Material	UL94 V-0
(mm)	4.45		
AVG Contact Resistance* (micro-ohms)	600		
Insulation Withstanding Test Voltage (Volts AC/DC)	2200		
Contact Retention Force (lbf)	25		



\* UL Rated for 65°C largest wire or cable size  
 \*\* Both AC & DC Voltage  
 \*\*\* Contact factory for higher temperature rated connectors  
 \*\*\*\* Based on 10 AWG

### ORDERING INFORMATION

#### 30 amp Ground Socket Connectors

Part Number	Description	Wire AWG	mm
PP30MF-S10T	Make First, Socket Tin	#10	3.3
PP30MF-S10S	Make First, Socket Silver	#10	3.3

#### 30 amp Ground Pin Connectors

Part Number	Description	Wire AWG	mm
PP30MF-P10T	Make First, Pin Tin	#10	3.3
PP30MF-P10S	Make First, Pin Silver	#10	3.3
PP30MF-PPCT	Make First, Pin PC Tin	NA	NA
PP30MF-PPCS	Make First, Pin PC Silver	NA	NA

#### Ground Pin Contacts

Part Number	Description	Dia.
1230G1	Individual, Pin for wire Tin	.134
1231G1	Individual, Pin for wire Silver	.134
1234G1	Pin, PCB Tin	N/A
1235G1	Pin, PCB Silver	N/A

#### Ground Socket Contacts

Part Number	Description	Dia.
1232G1	Individual, Socket for wire Tin	.134
1233G1	Individual, Socket for wire Silver	.134

#### Pin & Socket Housing Only

Part Number	Description
PP30GND-P	Pin housing, green
PP30GND-S	Socket housing, green

#### Pin & Socket Contacts For Use With Superflex Wire

Part Number	Description	Wire AWG	mm
1226G1	Pin Contact	#10	6
1228G1	Socket Contact	#10	6

#### Tooling

Part Number	Description
1396G1	Hand Tool
1387G1	Pneumatic Tool
1388G8	- Die #10
1389G8	- Locator #10

*Note: For additional colors please contact customer service*

HEADQUARTERS: Anderson Power Products®, 13 Pratts Junction Road, Sterling, MA 01564-2305 USA T:978-422-3600 F:978-422-3700

EUROPE: Anderson Power Products® Ltd., Unit 3, Europa Court, Europa Boulevard, Westbrook, Warrington, Cheshire, WA5 7TN United Kingdom T: +44 (0) 1925 428390 F: +44 (0) 1925 428399

ASIA / PACIFIC: IDEAL Anderson Asia Pacific Ltd., Unit 922-928 Topsail Plaza, 11 On Sum Street, Shatin N.T., Hong Kong T: +(852) 2636 0836 F: +(852) 2635 9036

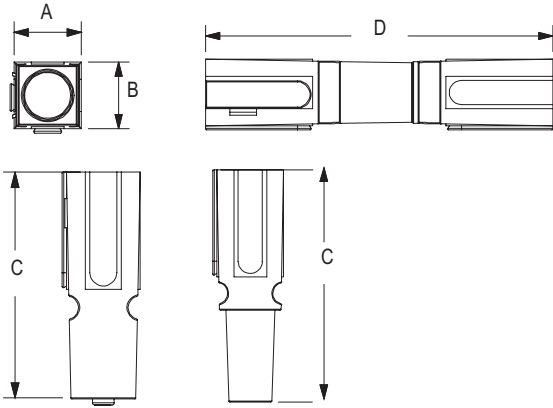
CHINA: IDEAL Anderson Technologies (Shenzhen) Ltd., Block A8 Tantou Western Industrial Park, Songgang Baoan District, Shenzhen, P.R. China 518105 T: +(86) 755 2768 2118 F: +(86) 755 2768 2218

TAIWAN: IDEAL Anderson Asia Pacific Ltd., Taiwan Branch, 4F.-2, No.116, Dadun 20th St., Situn District, Taichung City 407, Taiwan (R.O.C.) T: +(886) 4 2310 6451 F: +(886) 4 2310 6460

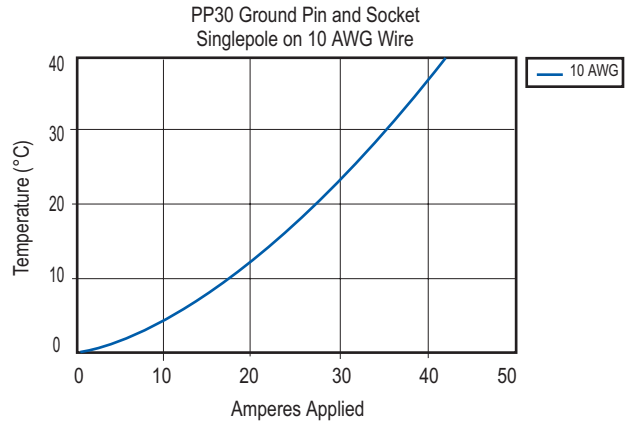
## DIMENSIONS

### Housings

Series	-A-		-B-		-C-		-D-	
	mm	in.	mm	in.	mm	in.	mm	in.
PP30 Pin	7.9	0.32	7.9	0.32	26.6	0.97	41.2	1.62
PP30 Socket	7.9	0.32	7.9	0.32	26.6	0.97	41.2	1.62



## TEMPERATURE RISE CHART



### Contacts

Series	-A-		-B-		-C-	
	mm	in.	mm	in.	mm	in.
PP30 Pin	5.1	0.20	29.2	1.15	2.29	0.09
PP30 Socket	5.1	0.20	24.9	0.98	N/A	N/A

